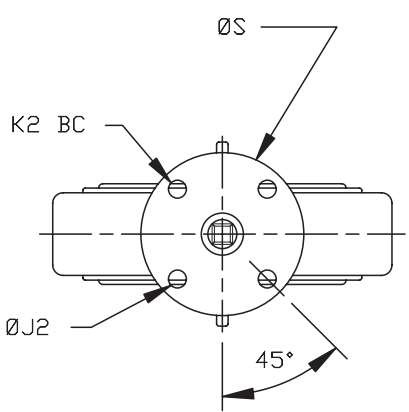
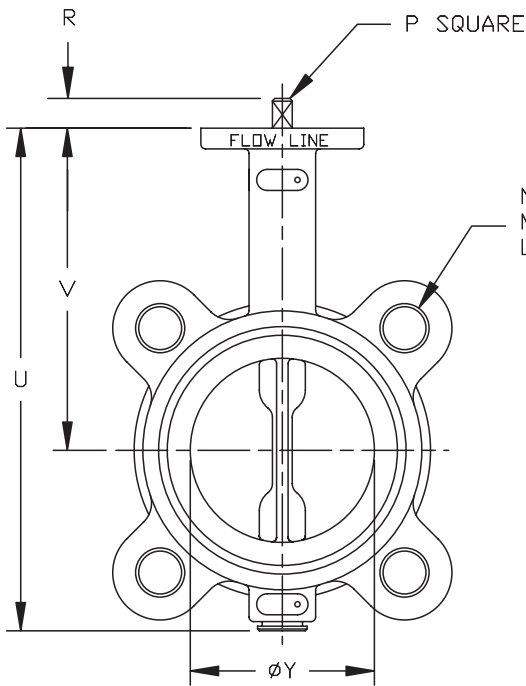


VALVE SIZE	Z	Y	X	V	U	S	R	Q	P	LUG DRILLING			TOP PLATE DRILLING			WGT. (LBS.)
										N	M	L	K2	#holes	J2	
1	1.3	1.18	1.97	2.99	4.88	2.09	.47	.39	.433	3.25	½ - 13	4	1.65	4	.25	3
1½"	1.5	1.85	2.76	3.54	5.98	2.09	.47	.39	.433	3.7	½ - 13	4	1.65	4	.25	4

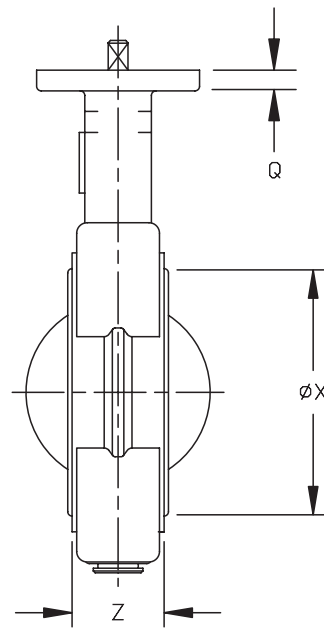


4	STEM		
3	DISC		
2	SEAT		
1	BODY		
ITEM	DESCRIPTION	MATERIAL	REMARKS

ALL DIMENSIONS ARE INCHES



N BOLT CIRCLE
 M STUD SIZE
 L # STUDS



VALVE SIZE		FLANGE DRILLING		DIMENSIONAL DATA SHEET BUTTERFLY VALVE SERIES 73 SIZES 1" & 1½"		PART NO.	
PRESSURE RATING						DRAWING NO.	REV
CUSTOMER/PROJECT						73-003	A
INQ./PO NO.						DATE	
ORDER NO.						6/09	
CERTIFIED BY		DATE					