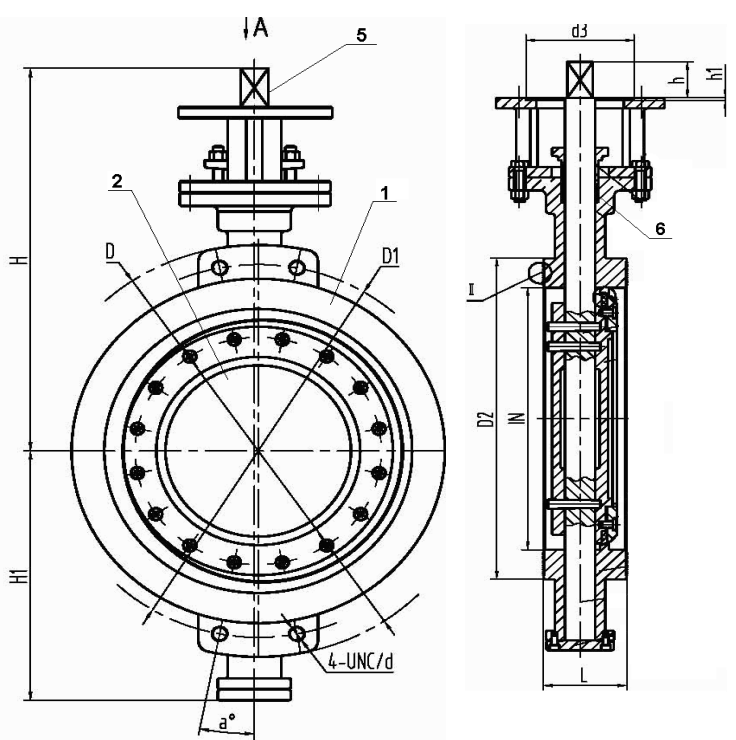


Size	L	D	D1	D2	4-UNC	H	H1	h	K	ISO5211	d1	d2	d3	h1
4"	2.13	10.04	7.87	6.18	4-3/4"-10UNC	11.22	4.82	3.35	22mm	F12	5.91	4.92	3.35	0.12
5"	2.32	11.02	9.25	7.32	4-3/4"-10UNC	13.46	5.51	3.35	22mm	F12	5.91	4.92	3.35	0.12
6"	2.32	12.6	10.63	8.5	4-3/4"-10UNC	14.06	6.1	4.33	27mm	F16	8.27	6.5	5.12	0.2
8"	2.87	14.96	13	10.63	4-7/8"-9UNC	16.93	7.28	4.33	27mm	F16	8.27	6.5	5.12	0.2
10"	3.27	17.52	15.25	12.76	4-1"-8UNC	18.15	10.75	4.33	36mm	F16	8.27	6.5	5.12	0.2
12"	3.62	20.47	17.75	15	4-1-1/8"-8UNC	20.87	12.13	4.33	36mm	F16	8.27	6.5	5.12	0.2



No.	Item	Material	Optional
1	Body	WCB/316SS/304SS	Duplex
2	Disc	316SS/304SS	Stellite/Duplex
3	Seat	.13Cr	Stellite
4	Seat Ring	316SS+Graphoil	Stellite+Graphoil/ 304SS+Graphoil/ .13Cr+Graphoil
5	Shaft	17-4PhSS	316SS/Monel
6	Packing	Graphoil	Consult Factory
7	Bearngs	SS+Nitrate	Consult Factory

Design	API 607 6th Edition		
Flange	ANSI B16.5		
Test	API 598		
Torque In-lbs			
4"	2089	8"	10179
5"	3399	10"	17313
6"	4691	12"	25978

VALVE	Wafer Torque Seated	DIMENSIONAL DATA SHEET Series 78 Wafer Torque Seated Triple Offset Butterfly Valve Size 4"----12"	PART NO.	
PRESSURE RATING	ANSI 300		DRAWING NO.	REV
CUSTOMER/PROJECT			FL78-1300	A
SPECIFICATION	API 607 6th Edition		DATE	
CERTIFIED BY	J.D.		12/15/2011	