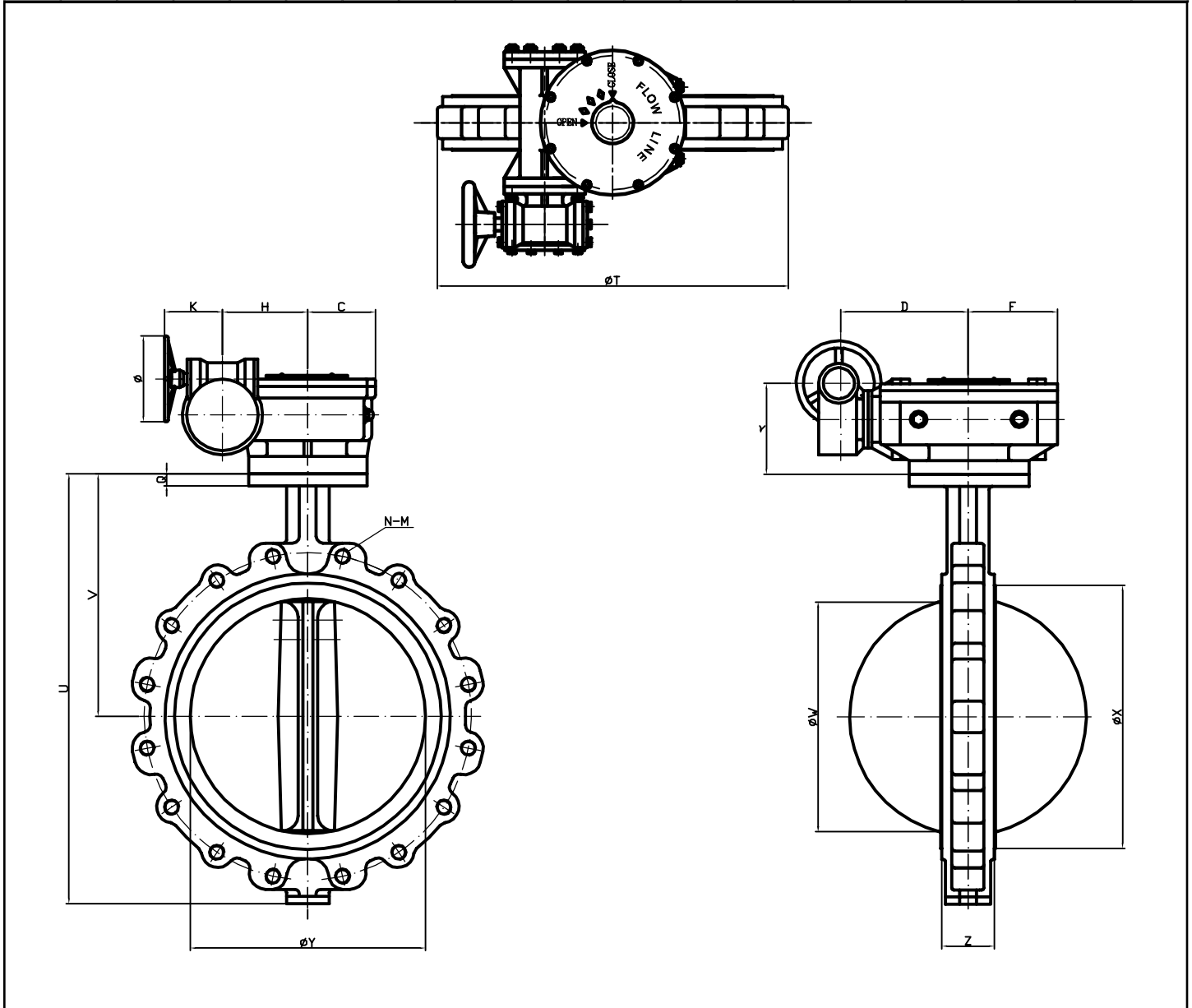


Valve Size	Z	Y	X	W	V	U	T	R	Q	C	K	Ø	F	D	H	JOINT FLANGE DRILLING				WGT lb
																K2	#HOLES	J2	a°	
16	3.41	15.34	17.29	14.96	15.75	27.91	22.80	4.53	0.79	3.78	5.63	11.18	3.86	6.5	3.62	21.25	16	1"	11.25°	335
18	4.16	17.34	19.25	16.85	16.61	29.53	24.69	4.53	0.79	3.78	5.63	11.18	3.86	6.5	3.62	22.75	16	1 1/8"	11.25°	392
20	5.13	19.35	21.02	18.62	18.90	33.11	27.40	4.21	0.87	4.09	5.63	11.18	4.15	6.69	3.62	25	20	1 1/8"	9°	568
24	5.96	23.33	25.74	22.52	22.13	40.20	32.32	5.24	0.87	5.51	6.32	15.28	5.49	7.85	4.84	29.5	20	1 1/4"	9°	753



VALVE SIZE	FLANGE DRILLING	DIMENSIONAL DATA SHEET LUG TYPE BUTTERFLY VALVE GEAR OPERATOR SERIES 85 SIZES 16"-24"		PART NO.	
PRESSURE RATING				DRAWING NO.	REV
CUSTOMER/PROJECT				FL85-003	A
INQ/PO NO.				DATE	
ORDER NO.				6/15/09	
CERTIFIED BY	DATE				