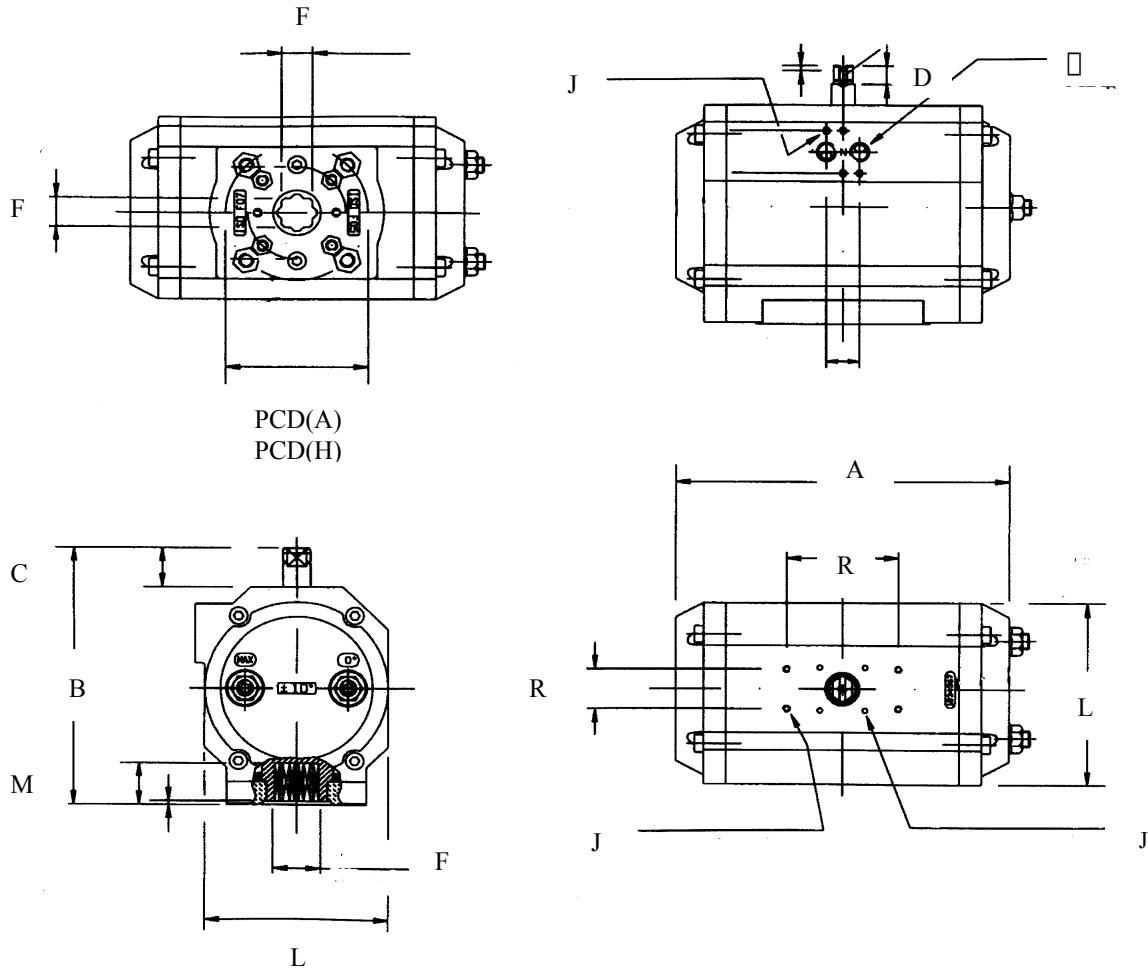


Double Acting



Model	A	B	C	D	F (DBL SQ)	M (Deep)	PCD (A)	G	PCD	H	J	L	R
2016	6.3	4.4	1.18	0.157	0.551	0.748	1.969	4X1/4-20	X	X	4X10-32	3.4	3.15X1.18
2021	6.96	4.4	1.18	0.157	.669	0.906	2.756	4X5/16-18	X	X	4X10-32	3.8	3.15X1.18
2026	9.4	5.6	1.18	0.157	.669	0.906	2.756	4X5/16-18	X	X	4X10-32	3.8	3.15X1.18
2031	9	6.3	1.18	0.157	.669	0.906	2.756	4X5/16-18	X	X	4X10-32	4.5	3.15X1.18
2036	9.7	7.7	1.18	0.157	0.855	1.181	2.756	4X5/16-18	4.016	4X3/8-16	4X10-32	5.4	3.15X1.18
2041	11.4	7.7	1.18	0.157	0.866	1.181	2.756	4X5/16-18	4.016	4X3/8-16	4X10-32	5.4	3.15X1.18
2046	13.8	8.2	1.18	0.157	0.866	1.181	2.756	4X5/16-18	4.016	4X3/8-16	4X10-32	5.9	3.15X1.18
2051	14.2	9.8	1.18	0.157	1.063	1.457	4.921	4-1/2-13	X	X	X	7.3	3.15X1.18
2056	16.5	9.7	1.18	0.157	1.063	1.457	4.921	4X10-32	X	X	X	7.3	3.15X1.18
2061	17.5	12.0	1.18	0.157	1.063	1.969	5.512	4X5/8-11	X	X	X	9.3	3.15X1.18
2066	19.8	12.0	1.18	0.157	1.063	1.969	5.512	4X5/8-11	X	X	X	9.3	3.15X1.18

- Note:**
1. Double Acting and Spring Return actuators utilize the same bodies and end caps.
 2. Dimensions are the same for both Double Acting and Spring Return Actuators.
 3. Accessory mounting conforms to Namur VDI/VDE 3845.
 4. Actuator mounting is ISO 5211 on all sizes.