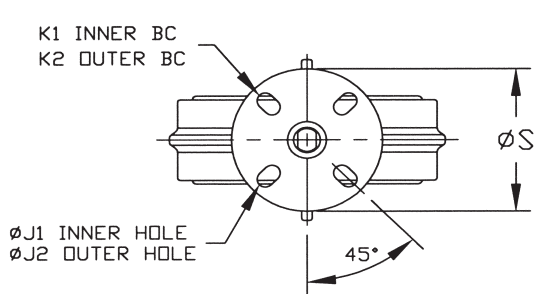
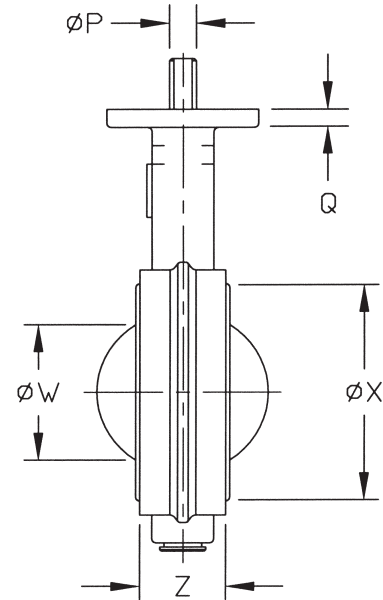
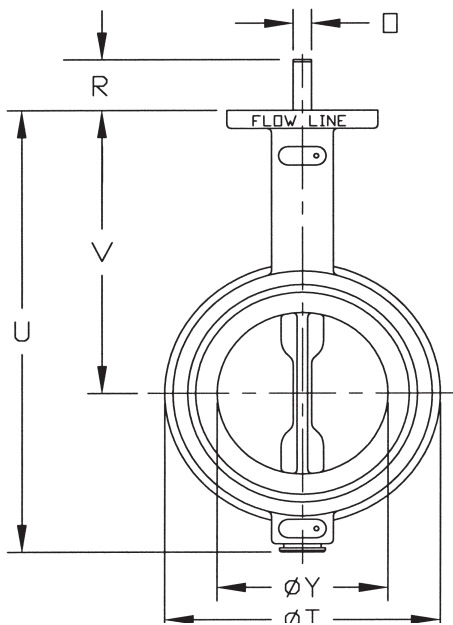


VALVE SIZE	Z	Y	X	W	V	U	T	S	R	Q	P	O	TOP PLATE DRILLING					WGT. (LB)
													K1	K2	#holes	J1	J2	
2	1.74	2.25	2.65	1.47	5.62	8.44	4.12	4.00	1.00	.44	.25	.375	2.76	3.25	4	.39	.41	6
2-1/2	1.86	2.81	3.15	2.14	6.12	9.19	4.88	4.00	1.00	.44	.625	.375	2.76	3.25	4	.39	.41	7
3	1.86	3.31	3.78	2.74	6.38	9.69	5.38	4.00	1.00	.44	.625	.375	2.76	3.25	4	.39	.41	8
4	2.11	4.19	4.78	3.60	7.12	11.00	6.88	4.00	1.00	.44	.625	.375	2.76	3.25	4	.39	.41	12
5	2.24	5.06	5.84	4.58	7.75	12.12	7.75	4.00	1.25	.44	.838	.500	2.76	3.25	4	.39	.41	15
6	2.24	6.06	7.03	5.62	8.25	13.25	8.75	4.00	1.25	.44	.838	.500	2.76	3.25	4	.39	.41	18
8	2.54	7.94	8.96	7.43	9.44	15.56	11.00	6.00	1.38	.56	.838	.500	4.02	5.00	4	.53	.53	29
10	2.74	10.00	11.09	9.38	11.25	18.69	13.38	6.00	1.38	.56	.963	.625	4.02	5.00	4	.53	.53	43
12	3.24	11.94	13.09	11.35	12.19	21.69	16.12	6.00	1.38	.56	1.338	.750	4.02	5.00	4	.53	.53	71



NOTE: W IS DISC CHORDAL DIMENSION AT VALVE FACE  
ALL DIMENSIONS ARE INCHES

4	STEM		
3	DISC		
2	SEAT		
1	BODY		
ITEM	DESCRIPTION	MATERIAL	REMARKS



VALVE SIZE		FLANGE DRILLING		DIMENSIONAL DATA SHEET BUTTERFLY VALVE SERIES 70 SIZES 2"-12"		PART NO.			
PRESSURE RATING						DRAWING NO.		REV	
CUSTOMER/PROJECT						70-001		A	
INQ./PO NO.						DATE			
ORDER NO.						1/02			
CERTIFIED BY		DATE							